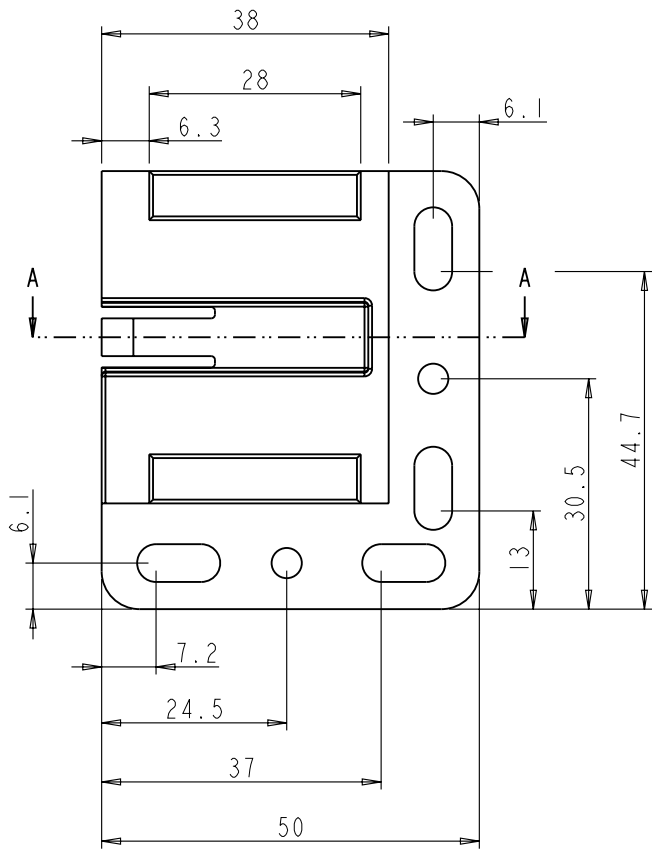
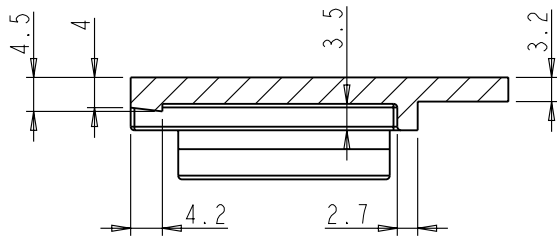
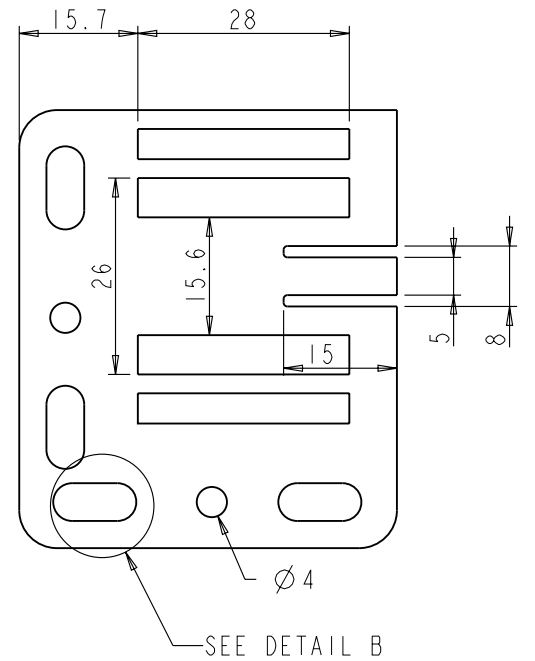
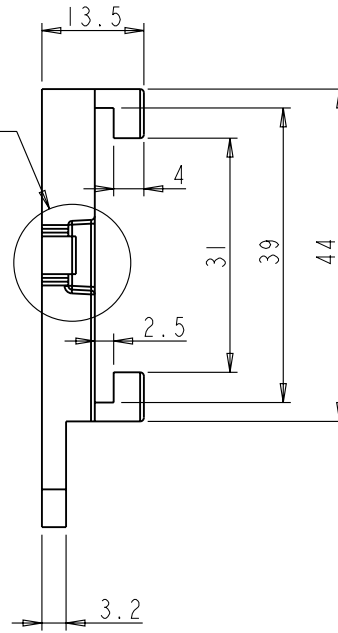


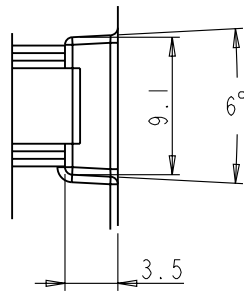
	ITEM: 303FU3-BRACKET		MATERIAL: STEEL		
	FINISH:		WEIGHT: 80.50 g		
PROPRIETARY AND CONFIDENTIAL THE INFORMATION CONTAINED IN THIS DRAWING IS THE SOLE PROPERTY OF HARDWARE RESOURCES INC. ANY REPRODUCTION IN PART OR AS A WHOLE WITHOUT THE WRITTEN PERMISSION OF HARDWARE RESOURCES INC. IS PROHIBITED.	TOLERANCE UNLESS OTHERWISE SPECIFIED: X: MM ±0.20 X.X: MM ±0.10 X.XX: MM ±0.05 ANGULAR: ±0.5° DO NOT SCALE DRAWING		UNIT: MM SIZE:	DRAWN BY: <i>alan.liu</i> CHECKED BY: APPROVED BY:	DATE: DATE: DATE:



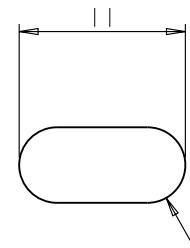
SEE DETAIL A



截面 A-A

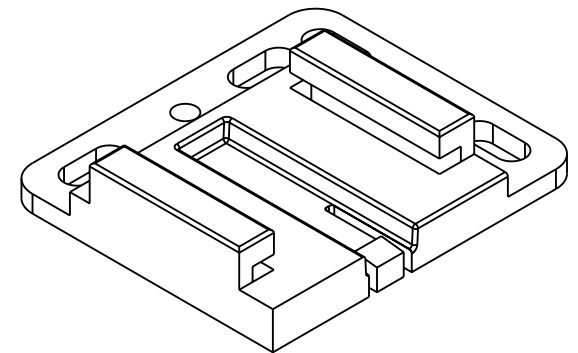


DETAIL A
SCALE 2:1



R2.5

DETAIL B
SCALE 2:1



	ITEM:	303FU3-WALL-MOUNT		MATERIAL:	ABS
	FINISH:			WEIGHT:	12.00 g
PROPRIETARY AND CONFIDENTIAL THE INFORMATION CONTAINED IN THIS DRAWING IS THE SOLE PROPERTY OF HARDWARE RESOURCES INC. ANY REPRODUCTION IN PART OR AS A WHOLE WITHOUT THE WRITTEN PERMISSION OF HARDWARE RESOURCES INC. IS PROHIBITED.	UNIT:	MM	DRAWN BY:	alan.liu	
	SIZE:		CHECKED BY:		
	APPROVED BY:			DATE:	
TOLERANCE UNLESS OTHERWISE SPECIFIED: X: MM ±0.20 X.X: MM ±0.10 X.XX: MM ±0.05 ANGULAR: ±0.5° DO NOT SCALE DRAWING	DATE:			DATE:	