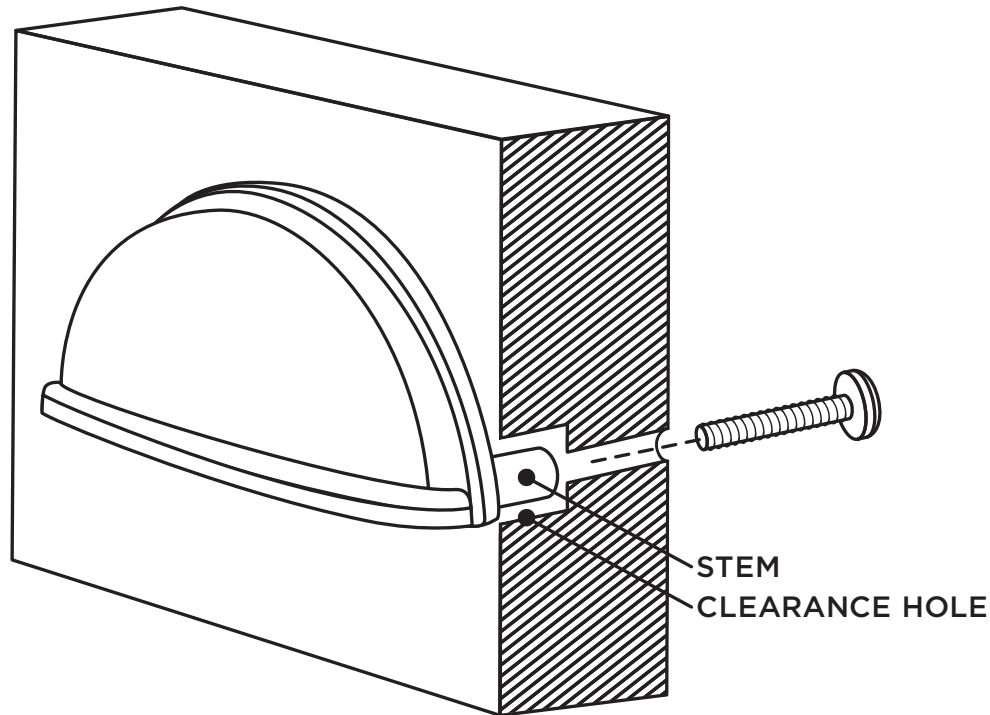


# CORRECT INSTALLATION



## FOR CUP PULL TO SIT FLUSH ON CABINET:

### New Installation:

- 1) To mount on cabinet, drill  $\frac{3}{16}$ in(4.8mm) hole through cabinet.
- 2) For the stem, use a standard  $\frac{9}{32}$ in(7.1mm) drill bit and drill a clearance hole into the front of the cabinet.

### Replacement Installation:

- 1) For the stem, use a standard  $\frac{9}{32}$ in(7.1mm) drill bit and drill a clearance hole into the front of the cabinet.